

- Halo™ Delivers the Most Effective Eye/Face Washdown Coverage and Spray Pattern
- Exceeds American National Standard Z358.1 Specifications
- Exceeds European EN 15154-1 & EN 15154-2
- Exceeds Australia/New Zealand AS-4775 & AS/NZS 4020
- Industry's Only Self-Draining Design – The Aquaduct™
- Separate Supply and Waste Pipes – Meets CEN and Plumbing Requirements
- Ergonomic Hand Activation Eyewash Paddle – Easy to Reach from Any Direction
- Barrier Free
- Fully-Assembled and Factory-Tested Eyewash or Eye/Face Wash with Hinged Dust Covers
- Yellow Transparent Plastic and Stainless Steel Bowl Covers Available
- Universal Identification Sign and Inspection Tag Included
- Classified by Underwriters Laboratories Inc. to ANSI Z358.1.
- Listed by Intertek to EN 15154-1 & EN 15154-2
- Halo is Covered by One or More of the Following Patents: D662,220; D662,219; D685,920. Other Patents Pending.

Specifications

Standard Eyewash or Eye/Face Wash Units save space and fit easily into any work environment. Halo eyewash or eye/face wash, operated by an ergonomic, highly visible push handle, provides effective wash down coverage and spray pattern. Integral strainer reduces debris in the water and also prevents clogging.

- This plumbing fixture is not intended to dispense water for human consumption through drinking or for preparation of food or beverages.*

Pipe and Fittings

1¼" piping assembly manufactured of one of the following materials:

- Galvanized steel with BradTect® safety yellow coating
- Type 304 corrosion resistant stainless steel
- Type 316 corrosion-resistant stainless steel
- Chrome plated red brass.

Ball Valve

½" stay-open eye and eye/face wash valve manufactured of the following materials and supplied with either type 304 or 316 stainless steel pull rod and handle:

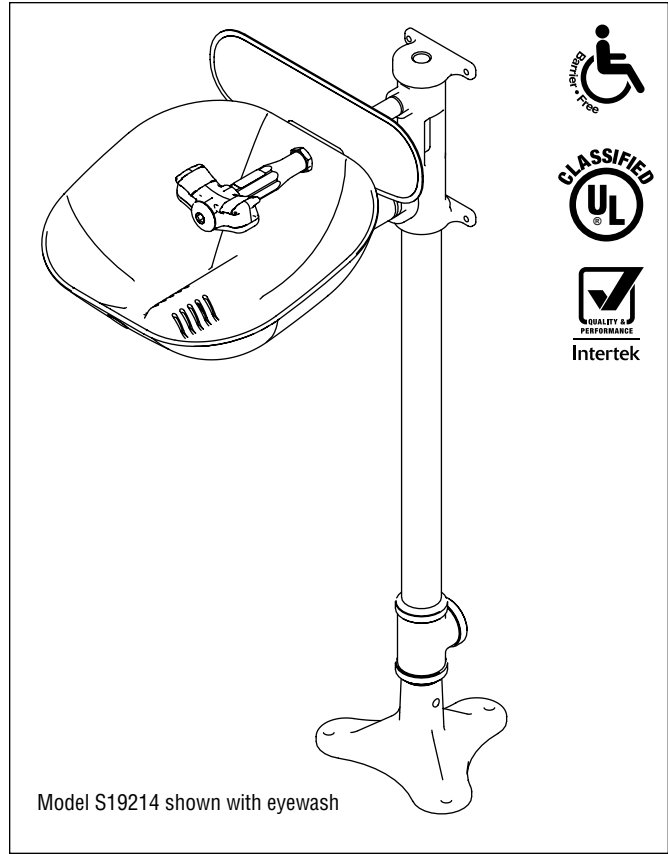
- Chrome-plated brass
- Type 316 stainless steel
- Self-closing chrome-plated brass (self closing eyewash valve may not meet local requirements for eyewash activation).

Eyewash

The Halo eyewash system offers a high performance rinsing platform that provides rapid relief to an individual's eyes that have been injured by chemicals or particulate. The eyewash includes an integral 5.1 GPM (19.2 L) flow control, providing water at a safe velocity while maintaining its effectiveness (exceeds minimum water flow of 0.4 GPM (1.5 L) at 30 PSI (2.0 bar)). Eyewash is protected by flip open dust covers that open when product is activated or by a full bowl dust cover that activates the unit when it is opened. Safe, steady water flow under varying water supply conditions from 30–90 PSI (2.0-6.1 bar) is assured by integral flow control in the sprayhead assembly.

Eye/Face Wash

The Halo eye/face wash system offers a high performance rinsing platform that provides rapid relief to an individual's eyes and face that have been injured by chemicals or particulate. This system provides the most complete face wash available in the market. The eye/face wash includes an integral 5.1 GPM (19.2 L) flow control, providing water at a safe velocity while maintaining its effectiveness (exceeds minimum water flow of 3.0 GPM (11.4 L) at 30 PSI (2.0 bar)). Eye/face wash is protected by flip open dust covers that open when product is activated or by a full bowl dust cover that activates the unit when it is opened. Safe, steady water flow under varying water supply conditions from 30–90 PSI (2.0-6.1 bar) is assured by integral flow control in the sprayhead assembly. Sprayheads are made from an impact resistant ABS plastic, or from durable 304/316 stainless steel with electro-polished finish.

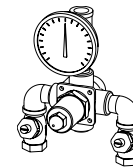


Model S19214 shown with eyewash

Recommended Option:

Navigator S19-2000 EFX8
Emergency Thermostatic Mixing Valve

NAVIGATOR



Satisfies ANSI Z358.1
tepid water requirements.


EYE/FACEWASH

Bowl and Dust Cover

Bowl is constructed of yellow impact-resistant plastic, Type 304 corrosion-resistant stainless steel or Type 316 corrosion-resistant stainless steel. Optional dust cover is constructed of transparent yellow impact-resistant plastic, Type 304 corrosion-resistant stainless steel or Type 316 corrosion-resistant stainless steel.

Activation

Type 304 Stainless steel push handle with optional aluminum or type 304 stainless steel foot pedal. Type 316 stainless steel push handle with optional Type 316 stainless steel foot pedal.

Drench Hose

Perforated sprayhead with protective sprayhead cover is ABS plastic and provides soft spray for cleansing eyes and face. Chrome-plated brass valve with extended handle stays open once handle is squeezed. 8' (2438mm) yellow reinforced thermoplastic hose has 3/8" NPT male thread. Burst strength is 450 PSI (31 bar). Attachment Kit includes 1/2" NPT supply, fittings and hanger for attaching hose to eyewashes. The sprayhead contains an antimicrobial agent to protect the sprayhead.

Backflow Prevention

Series N9 dual-check backflow preventer has a chrome-nickel plated brass body and includes atmospheric vent for continuous pressure applications. The check valve comes with 3/8" female dual NPT female inlet and outlet connections. It can sustain a maximum pressure of 125 PSI (8.6 bars). The check valve is certified to CSA B64.8.

Series 9D dual-check backflow preventer with intermediate atmospheric vent can be used under continuous pressure. The primary check valve uses a rubber disc seating adjacent to a mating rubber part to ensure tight closing. A second check valve employs a rubber disc-to-metal seating.

Halo Pre-Configured Models with ANSI Z358.1 Certification

Halo Model Number	Description
Eyewashes	
<input type="checkbox"/> S19214EW	Halo Eyewash, plastic bowl
<input type="checkbox"/> S19214B	Halo Eyewash, stainless steel bowl
Eyewashes with Dust Cover	
<input type="checkbox"/> S19214PDC	Halo Eyewash, plastic bowl w/ dust cover
<input type="checkbox"/> S19214DC	Halo Eyewash, stainless steel bowl & hinged dust cover
Eye-Face Washes	
<input type="checkbox"/> S19214FW	Halo Eye/face wash, plastic bowl
<input type="checkbox"/> S19214Y	Halo Eye/face wash, stainless steel bowl
<input type="checkbox"/> S19214P	Halo Eye/face wash, stainless steel bowl w/ hose spray
<input type="checkbox"/> S19214YF	Halo Eye/face wash, stainless steel bowl, hand/foot operated
Eye-Face Washes with Dust Cover	
<input type="checkbox"/> S19214PDCFW	Halo Eye/face wash, plastic bowl w/ dust cover
<input type="checkbox"/> S19214DCFW	Halo Eye/face wash, stainless steel bowl & hinged dust cover
All Stainless Steel Eye/Face Wash	
<input type="checkbox"/> S19214BSS	Halo stainless steel eye/face wash and bowl
<input type="checkbox"/> S19214SC	Halo stainless steel eye/face wash, bowl and cover
<input type="checkbox"/> S19214SS	Halo stainless steel eye/face wash and bowl with foot activation

Models with BSPP threading available. For BSPP threading, add a Z to end of existing part number. For example, S19214EW will be S19214EWZ.

Halo Pre-Configured Models with DVGW, AS-4775 & AS/NZS 4020 Certification

All models with DVGW, AS-4775 & AS/NZS 4020 Certification include stainless steel pipe material with BSPP threading.

Halo Model Number	Description
Eyewashes	
<input type="checkbox"/> S19214EWZS	Halo Eyewash, plastic bowl
<input type="checkbox"/> S19214BZS	Halo Eyewash, stainless steel bowl
Eyewashes with Dust Cover	
<input type="checkbox"/> S19214PDCZS	Halo Eyewash, plastic bowl w/ dust cover
<input type="checkbox"/> S19214DCZS	Halo Eyewash, stainless steel bowl & hinged dust cover
Eye-Face Washes	
<input type="checkbox"/> S19214FWZS	Halo Eye/face wash, plastic bowl
<input type="checkbox"/> S19214YZS	Halo Eye/face wash, stainless steel bowl
<input type="checkbox"/> S19214YFZS	Halo Eye/face wash, stainless steel bowl, hand/foot operated
Eye-Face Washes with Dust Cover	
<input type="checkbox"/> S19214PDCFWS	Halo Eye/face wash, plastic bowl w/ hinged dust cover
<input type="checkbox"/> S19214DCFWS	Halo Eye/face wash, stainless steel bowl & hinged dust cover
All Stainless Steel Eye/Face Wash	
<input type="checkbox"/> S19214BSSZ	Halo stainless steel eye/face wash and bowl
<input type="checkbox"/> S19214SCZ	Halo stainless steel eye/face wash, bowl and cover
<input type="checkbox"/> S19214SSZ	Halo stainless steel eye/face wash and bowl with foot activation

Halo Configurator

Standard Selections (Must select one from each category)	
Configuration	
<input type="checkbox"/> B	24" Drain Height
<input type="checkbox"/> 0	Standard, 6" Drain Height
Pipe Material	
<input type="checkbox"/> A	NPT, Yellow BradTect Galvanized Steel
<input type="checkbox"/> B	NPT, All 304 Stainless Steel
<input type="checkbox"/> C	NPT, All 316 Stainless Steel *
<input type="checkbox"/> D	NPT, Chrome-Plated
<input type="checkbox"/> F	BSPP, Yellow BradTect Galvanized Steel ‡
<input type="checkbox"/> G	BSPP, All 304 Stainless Steel ‡
<input type="checkbox"/> J	BSPP, Chrome-Plated ‡
Ball Valve	
<input type="checkbox"/> 1	Stay-Open Eyewash, Chrome-Plated Brass
<input type="checkbox"/> 2	Stay-Open Eyewash, 316 SS
Eyewash – Eye/Face Wash	
<input type="checkbox"/> A	Halo Eyewash
<input type="checkbox"/> B	Halo Eye/Face Wash
<input type="checkbox"/> D	Halo Eyewash, 304 SS Yoke
<input type="checkbox"/> E	Halo Eye/Face Wash, 304 SS Yoke
<input type="checkbox"/> F	304 SS Halo Eye/Face Wash, 304 SS Yoke
<input type="checkbox"/> G	Halo Eyewash, 316 SS Yoke
<input type="checkbox"/> H	Halo Eye/Face Wash, 316 SS Yoke
<input type="checkbox"/> J	316 SS Halo Eye/Face Wash, 316 SS Yoke

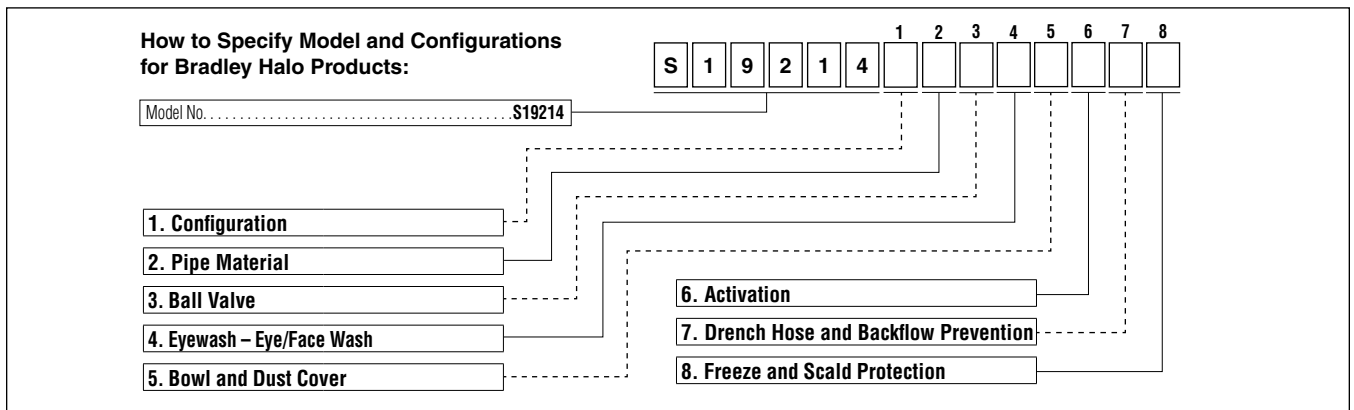
Bowl and Dust Cover	
<input type="checkbox"/> A	Plastic Bowl, No Dust Cover
<input type="checkbox"/> B	Plastic Bowl, Plastic Dust Cover
<input type="checkbox"/> D	304 SS, No Dust Cover
<input type="checkbox"/> E	304 SS, 304 SS Dust Cover
<input type="checkbox"/> F	304 SS, Plastic Dust Cover
<input type="checkbox"/> G	316 SS, No Dust Cover
<input type="checkbox"/> H	316 SS, 316 SS Dust Cover
<input type="checkbox"/> J	316 SS, Plastic Dust Cover
<input type="checkbox"/> 0	No Bowl or Dust Cover
Activation	
<input type="checkbox"/> A	304 SS Handle
<input type="checkbox"/> B	316 SS Handle
<input type="checkbox"/> D	304 SS Handle with Stainless Steel Foot Pedal *
<input type="checkbox"/> E	316 SS Handle with Stainless Steel Foot Pedal *
Drench Hose and Backflow Prevention	
<input type="checkbox"/> A	Drench Hose Kit with Vacuum Breaker
<input type="checkbox"/> B	Drench Hose Kit with N9 Backflow Preventer
<input type="checkbox"/> C	Drench Hose Kit with 9D Backflow Preventer
<input type="checkbox"/> D	Drench Hose Kit without Backflow Preventer
<input type="checkbox"/> 0	No Drench Hose and No Backflow Prevention
Freeze and Scald Protection	
<input type="checkbox"/> N	Anti-Freeze Valve
<input type="checkbox"/> P	Anti-Scald Valve
<input type="checkbox"/> R	Anti-Freeze and Anti-Scald Valves
<input type="checkbox"/> 0	No Anti-Freeze Valve and No Anti-Scald Valve

* Not available with barrier-free configurations.

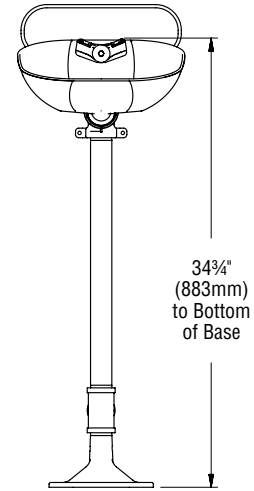
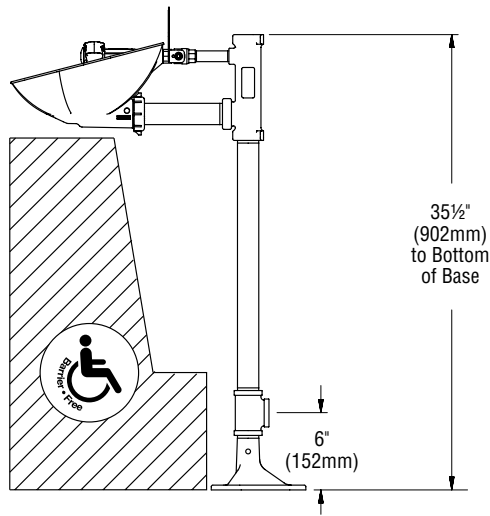
‡ Not available in the U.S.

NPT = National Pipe Thread

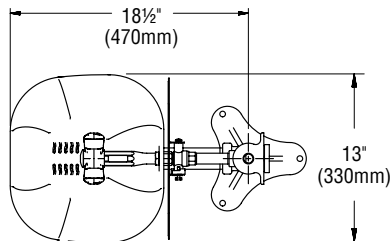
BSPP = British Standard Pipe Parallel Threads



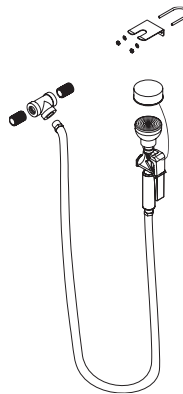
S19214 shown with Eyewash and Plastic Bowl



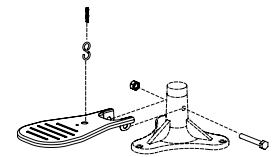
Eyewash Bowl



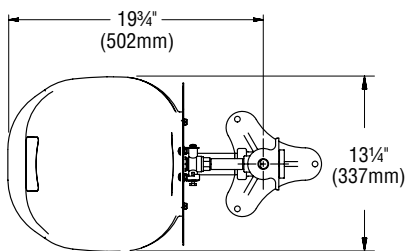
S19-430EH Drench Hose



Foot Pedal Activation



Dust Cover



All dimensions assume standard thread engagement. Variations in manufacturing allow for +/- 1/8" (3mm) per threaded joint. To find the tolerance of a dimension, add the number of thread joints across the length of the dimension and multiply it by 1/8" (3mm).