

- Halo™ Delivers the Most Effective Eye/Face Washdown Coverage and Spray Pattern
- Exceeds American National Standard Z358.1 Specifications
- Exceeds European EN 15154-1 & EN 15154-2
- Exceeds Australia/New Zealand AS-4775 & AS/NZS 4020
- Industry's Only Self-Draining Design – The Aquaduct™
- Separate Supply and Waste Pipes – Meets CEN and Plumbing Requirements
- Ergonomic Hand Activation Eyewash Paddle – Easy to Reach from Any Direction
- Barrier Free
- Fully-Assembled and Factory-Tested Eyewash or Eye/Face Wash with Hinged Dust Covers
- Yellow Transparent Plastic and Stainless Steel Bowl Covers Available
- Universal Identification Sign and Inspection Tag Included
- Classified by Underwriters Laboratories Inc. to ANSI Z358.1.
- Listed by Intertek to EN 15154-1 & EN 15154-2
- Halo is Covered by One or More of the Following Patents: D662,220; D662,219; D685,920. Other Patents Pending.

Specifications

Standard Eyewash or Eye/Face Wash Units save space and fit easily into any work environment. Halo eyewash or eye/face wash, operated by an ergonomic, highly visible push handle, provides effective wash down coverage and spray pattern. Integral strainer reduces debris in the water and also prevents clogging.

This plumbing fixture is not intended to dispense water for human consumption through drinking or for preparation of food or beverages.

Pipe and Fittings

Piping to ½" NPT (BSPP) water supply inlet on unit. Piping to 1¼" NPT drain outlet for eyewash.

1¼" piping assembly manufactured of one of the following materials:

- Galvanized steel with BradTect® safety yellow coating
- Type 304 corrosion resistant stainless steel
- Type 316 corrosion-resistant stainless steel
- Chrome plated red brass.

Ball Valve

½" stay-open eye and eye/face wash valve manufactured of the following materials and supplied with either type 304 or 316 stainless steel pull rod and handle:

- Chrome-plated brass
- Type 316 stainless steel
- Self-closing chrome-plated brass (self closing eyewash valve may not meet local requirements for eyewash activation).

Eyewash

The Halo eyewash system offers a high performance rinsing platform that provides rapid relief to an individual's eyes that have been injured by chemicals or particulate. The eyewash includes an integral 5.1 GPM (19.2 L) flow control, providing water at a safe velocity while maintaining its effectiveness (exceeds minimum water flow of 0.4 GPM (1.5 L) at 30 PSI (2.0 bar)). Eyewash is protected by flip open dust covers that open when product is activated or by a full bowl dust cover that activates the unit when it is opened. Safe, steady water flow under varying water supply conditions from 30–90 PSI (2.0–6.1 bar) is assured by integral flow control in the sprayhead assembly.

Eye/Face Wash

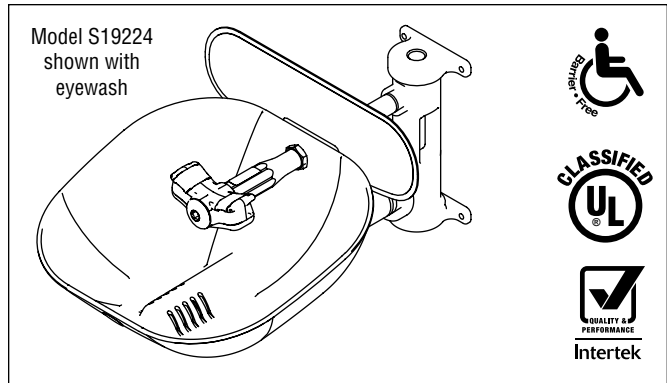
The Halo eye/face wash system offers a high performance rinsing platform that provides rapid relief to an individual's eyes and face that have been injured by chemicals or particulate. This system provides the most complete face wash available in the market. The eye/face wash includes an integral 5.1 GPM (19.2 L) flow control, providing water at a safe velocity while maintaining its effectiveness (exceeds minimum water flow of 3.0 GPM (11.4 L) at 30 PSI (2.0 bar)). Eye/face wash is protected by flip open dust covers that open when product is activated or by a full bowl dust cover that activates the unit when it is opened. Safe, steady water flow under varying water supply conditions from 30–90 PSI (2.0–6.1 bar) is assured by integral flow control in the sprayhead assembly. Sprayheads are made from an impact resistant ABS plastic or from durable 304/316 stainless steel with electro-polished finish.

Page 1 of 5

6/9/2014

This information is subject to change without notice.

Bradley_EyeFaceWash_S19224Series



Bowl and Dust Cover

Bowl is constructed of yellow impact-resistant plastic, Type 304 corrosion-resistant stainless steel or Type 316 corrosion-resistant stainless steel. Optional dust cover is constructed of transparent yellow impact-resistant plastic, Type 304 corrosion-resistant stainless steel or Type 316 corrosion-resistant stainless steel.

Activation

Type 304 stainless steel push handle with optional aluminum or type 304 stainless steel foot pedal. Type 316 stainless steel push handle with optional Type 316 stainless steel foot pedal.

Drench Hose

Perforated sprayhead with protective sprayhead cover is ABS plastic and provides soft spray for cleansing eyes and face. Chrome-plated brass valve with extended handle stays open once handle is squeezed. 8' (2438mm) yellow reinforced thermoplastic hose has ¾" NPT male thread. Burst strength is 450 PSI (31 bar). Attachment Kit includes ½" NPT supply, fittings and hanger for attaching hose to eyewashes. The sprayhead contains an antimicrobial agent to protect the sprayhead.

Backflow Prevention

Series N9 dual-check backflow preventer has a chrome-nickel plated brass body and includes atmospheric vent for continuous pressure applications. The check valve comes with ¾" female dual NPT female inlet and outlet connections. It can sustain a maximum pressure of 125 PSI (8.6 bars). The check valve is certified to CSA B64.8.

Series 9D dual-check backflow preventer with intermediate atmospheric vent can be used under continuous pressure. The primary check valve uses a rubber disc seating adjacent to a mating rubber part to ensure tight closing. A second check valve employs a rubber disc-to-metal seating.

Wall Bracket

Heavy-gauge sand cast aluminum protected with BradTect safety yellow coating. Includes three clearance holes for mounting bracket onto wall (mounting hardware not included).

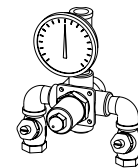
Waste

1¼" drain fitting and tailpiece furnished.

Recommended Option:

Navigator S19-2000 EFX8
Emergency Thermostatic Mixing Valve

NAVIGATOR



Satisfies ANSI Z358.1
tepid water requirements.

 **Halo**
EYE/FACEWASH

© 2015 Bradley
P.O. Box 309, Menomonee Falls, WI 53052-0309
800 BRADLEY (800 272 3539) +1 262 251 6000
bradleycorp.com

Halo Pre-Configured Models with ANSI Z358.1 Certification

Halo Model Number	Description
Eyewashes	
<input type="checkbox"/> S19224EW	Halo Eyewash, plastic bowl
<input type="checkbox"/> S19224PT	Halo Eyewash, plastic bowl, p-trap
<input type="checkbox"/> S19224B	Halo Eyewash, stainless steel bowl
<input type="checkbox"/> S19224BPT	Halo Eyewash, stainless steel bowl, p-trap
Eyewashes with Dust Cover	
<input type="checkbox"/> S19224PDC	Halo Eyewash, plastic bowl w/ dust cover
<input type="checkbox"/> S19224DC	Halo Eyewash, stainless steel bowl & hinged dust cover
<input type="checkbox"/> S19224DCPT	Halo Eyewash, stainless steel bowl & hinged dust cover, p-trap
Eye-Face Washes	
<input type="checkbox"/> S19224FW	Halo Eye/face wash, plastic bowl
<input type="checkbox"/> S19224FWPT	Halo Eye/face wash, plastic bowl, p-trap
<input type="checkbox"/> S19224T	Halo Eye/face wash, stainless steel bowl
<input type="checkbox"/> S19224P	Halo Eye/face wash, stainless steel bowl w/ hose spray, tailpiece
<input type="checkbox"/> S19224TPT	Halo Eye/face wash, stainless steel bowl, p-trap
<input type="checkbox"/> S19224Y	Halo Eye/face wash, stainless steel bowl, hand/foot operated, tailpiece
Eye-Face Washes with Dust Covers	
<input type="checkbox"/> S19224PDCFW	Halo Eye/face wash, plastic bowl w/ dust cover
<input type="checkbox"/> S19224DCFW	Halo Eye/face wash, stainless steel bowl & hinged dust cover
<input type="checkbox"/> S19224DCRPT	Halo Eye/face wash, stainless steel bowl & hinged dust cover, p-trap
All Stainless Steel Eye/Face Wash	
<input type="checkbox"/> S19224SC	Halo stainless steel eye/face wash, bowl and cover
<input type="checkbox"/> S19224SS	Halo stainless steel eye/face wash and bowl

Models with BSPP threading available. For BSPP threading, add a Z to end of existing part number. For example, S19224EW will be S19224EWZ.

Halo Pre-Configured Models with DVGW, AS-4775 & AS/NZS 4020 Certification

All models with DVGW, AS-4775 & AS/NZS 4020 Certification include stainless steel pipe material with BSPP threading.

Halo Model Number	Description
Eyewashes	
<input type="checkbox"/> S19224EWZS	Halo Eyewash, plastic bowl
<input type="checkbox"/> S19224PTZS	Halo Eyewash, plastic bowl, p-trap
<input type="checkbox"/> S19224BZS	Halo Eyewash, stainless steel bowl
<input type="checkbox"/> S19224BPTZS	Halo Eyewash, stainless steel bowl, p-trap
Eyewashes with Dust Cover	
<input type="checkbox"/> S19224PDCZS	Halo Eyewash, plastic bowl w/ dust cover
<input type="checkbox"/> S19224DCZS	Halo Eyewash, stainless steel bowl & hinged dust cover
<input type="checkbox"/> S19224DCPTZS	Halo Eyewash, stainless steel bowl & hinged dust cover, p-trap
Eye-Face Washes	
<input type="checkbox"/> S19224FWZS	Halo Eye/face wash, plastic bowl
<input type="checkbox"/> S19224FWPTZS	Halo Eye/face wash, plastic bowl, p-trap
<input type="checkbox"/> S19224TZS	Halo Eye/face wash, stainless steel bowl
<input type="checkbox"/> S19224TPTZS	Halo Eye/face wash, stainless steel bowl, p-trap
<input type="checkbox"/> S19224YZS	Halo Eye/face wash, stainless steel bowl, hand/foot operated, tailpiece
Eye-Face Washes with Dust Covers	
<input type="checkbox"/> S19224PDCFWSZ	Halo Eye/face wash, plastic bowl w/ dust cover
<input type="checkbox"/> S19224DCFWSZ	Halo Eye/face wash, stainless steel bowl & hinged dust cover
<input type="checkbox"/> S19224DCRPTZS	Halo Eye/face wash, stainless steel bowl & hinged dust cover, p-trap
All Stainless Steel Eye/Face Wash	
<input type="checkbox"/> S19224SCZ	Halo stainless steel eye/face wash, bowl and cover
<input type="checkbox"/> S19224SSZ	Halo stainless steel eye/face wash and bowl

Halo Configurator

Standard Selections (Must select one from each category)

Configuration

0 Standard Wall Mount

Pipe Material

A NPT, Yellow BradTect Galvanized Steel

B NPT, All 304 Stainless Steel

C NPT, All 316 Stainless Steel

D NPT, Chrome-Plated

F BSPP, Yellow BradTect Galvanized Steel ‡

G BSPP, All 304 Stainless Steel ‡

J BSPP, Chrome-Plated ‡

Ball Valve

1 Stay-Open Eyewash, Chrome-Plated brass

2 Stay-Open Eyewash, 316 SS

Eyewash – Eye/Face Wash

A Halo Eyewash

B Halo Eye/Face Wash

D Halo Eyewash, 304 SS Yoke

E Halo Eye/Face Wash, 304 SS Yoke

F 304 SS Halo Eye/Face Wash, 304 SS Yoke

G Halo Eyewash, 316 SS Yoke

H Halo Eye/Face Wash, 316 SS Yoke

J 316 SS Halo Eye/Face Wash, 316 SS Yoke

Bowl and Dust Cover

A Plastic Bowl, No Dust Cover

B Plastic Bowl, Plastic Dust Cover

D 304 SS, No Dust Cover

E 304 SS, 304 SS Dust Cover

F 304 SS, Plastic Dust Cover

G 316 SS, No Dust Cover

H 316 SS, 316 SS Dust Cover

J 316 SS, Plastic Dust Cover

0 No Bowl or Dust Cover

Activation

A 304 SS Handle

B 316 SS Handle

D 304 SS Handle with Stainless Steel Foot Pedal*

Waste

A Tailpiece

D P-trap

0 No Waste

Drench Hose and Backflow Prevention

A Drench Hose Kit with Vacuum Breaker

B Drench Hose Kit with N9 Backflow Preventer

C Drench Hose Kit with 9D Backflow Preventer

D Drench Hose Kit without Backflow Preventer

0 No Drench Hose and No Backflow Prevention

Freeze and Scald Protection

N Anti-Freeze Valve

P Anti-Scald Valve

R Anti-Freeze and Anti-Scald Valves

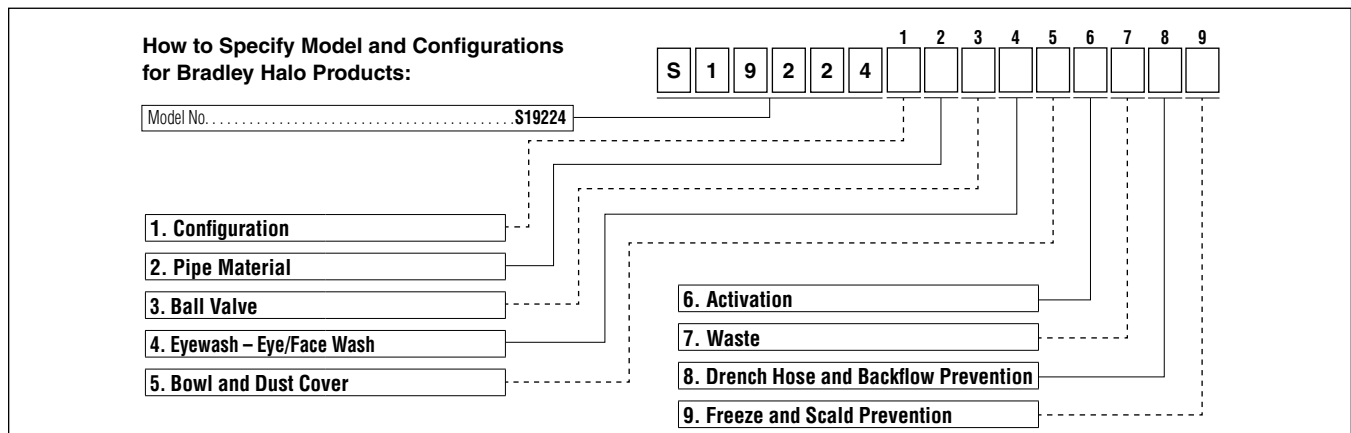
0 No Anti-Freeze Valve and No Anti-Scald Valve

* Not available with barrier-free configurations.

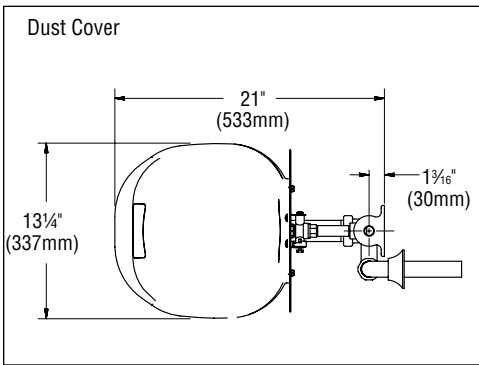
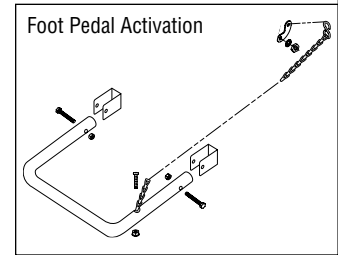
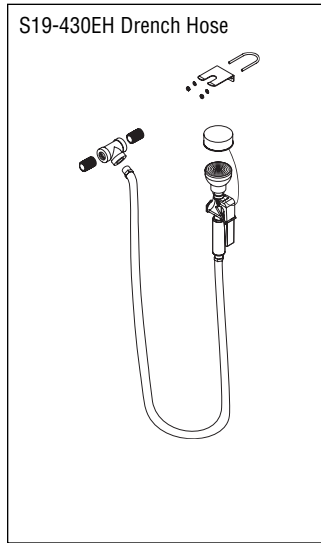
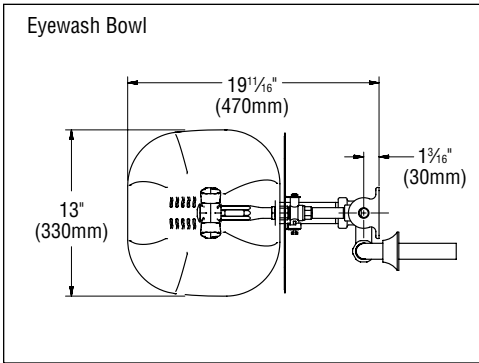
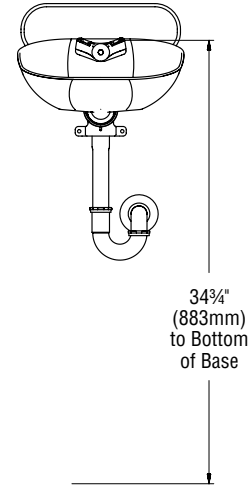
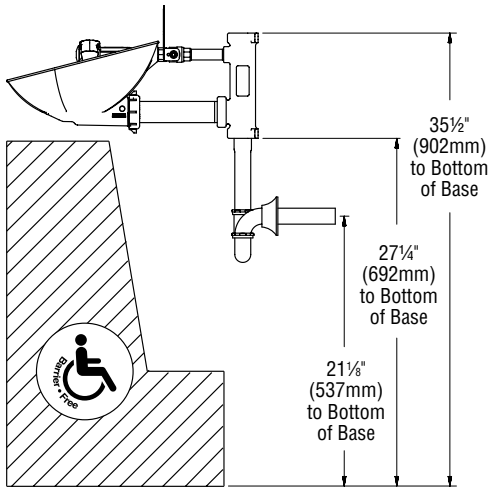
‡ Not available in the U.S.

NPT = National Pipe Thread

BSPP = British Standard Pipe Parallel Thread



S19224 shown with Eyewash and Plastic Bowl



All dimensions assume standard thread engagement. Variations in manufacturing allow for +/- 1/16" (3mm) per threaded joint. To find the tolerance of a dimension, add the number of thread joints across the length of the dimension and multiply it by 1/16" (3mm).