



### □ **G1562HTR** 15 Gallon Portable Eyewash/Drench Hose Unit with Heated Orange Insulation Jacket

**Application:** Self-contained heated eyewash and/or drench hose. Unit delivers over ten gallons (37.9 liters) of water for fifteen minutes, thus complying with the provisions of ANSI Z358.1-2014 for eyewashes. Unit is heated and insulated to endure sustained low or freezing temperatures over long periods of time. Unit is fully freeze-resistant, and tempered, for both in-door and out-door environments. Unit is ideal for low traffic areas, where installation of plumbed equipment is not cost effective.

**Tank and Jacket:** 15 gallon stainless steel pressurized tank. Tank has built-in carrying handles, Schrader air intake valve, pressure gauge and pressure relief valve. Tank has approximately 10 gallons (37.9 liters) usable capacity.

**Heating Element:** Silicone drum heater is attached to the tank with a spring latch. The water temperature inside of the tank is regulated by an onboard thermostat set to 65°F. The total amp draw is 3.33A and delivers 400W of power, which allows the unit to operate to temperatures as low as -20°F.

**Ground Fault Plug:** Unit comes standard with a 15A Ground Fault Circuit Interrupter (GFCI) with manual reset connected to a 9 foot long cord.

**Eyewash Unit:** Two GS –Plus spray heads, each with a “flip top” dust cover, internal flow control and filter. A 1/2" IPS chrome plated brass stay-open three way self draining ball valve with stainless steel flag handle. Pressure regulator controls eyewash flow to 0.65 GPM for 15 minutes.

**Drench Hose:** Single GS-Plus spray head with “flip top” dust cover, internal flow control and filter. Chrome plated brass squeeze valve with stainless steel lever handle and 6 foot reinforced PVC hose.

**Operation:** To operate unit, fill with clean potable water and add bacteriostatic additive (supplied with unit). Additive protects against growth of bacteria, fungus, algae and acanthamoeba inside unit. After filling with water, pressurize unit to 80 PSI air pressure. If necessary, adjust pressure regulator to achieve maximum flow for fifteen minutes. Unit should be inspected regularly and water in unit should be changed at least once every six months. Filling instructions included.

**Weight:** 41.5 lbs. empty, 124.8 lbs. filled.

**Quality Assurance:** Unit is fully assembled, pressurized and water tested at the factory. Unit is depressurized and emptied prior to shipping. Some assembly required in the field.

**Sign:** ANSI compliant identification sign permanently affixed to insulated jacket.

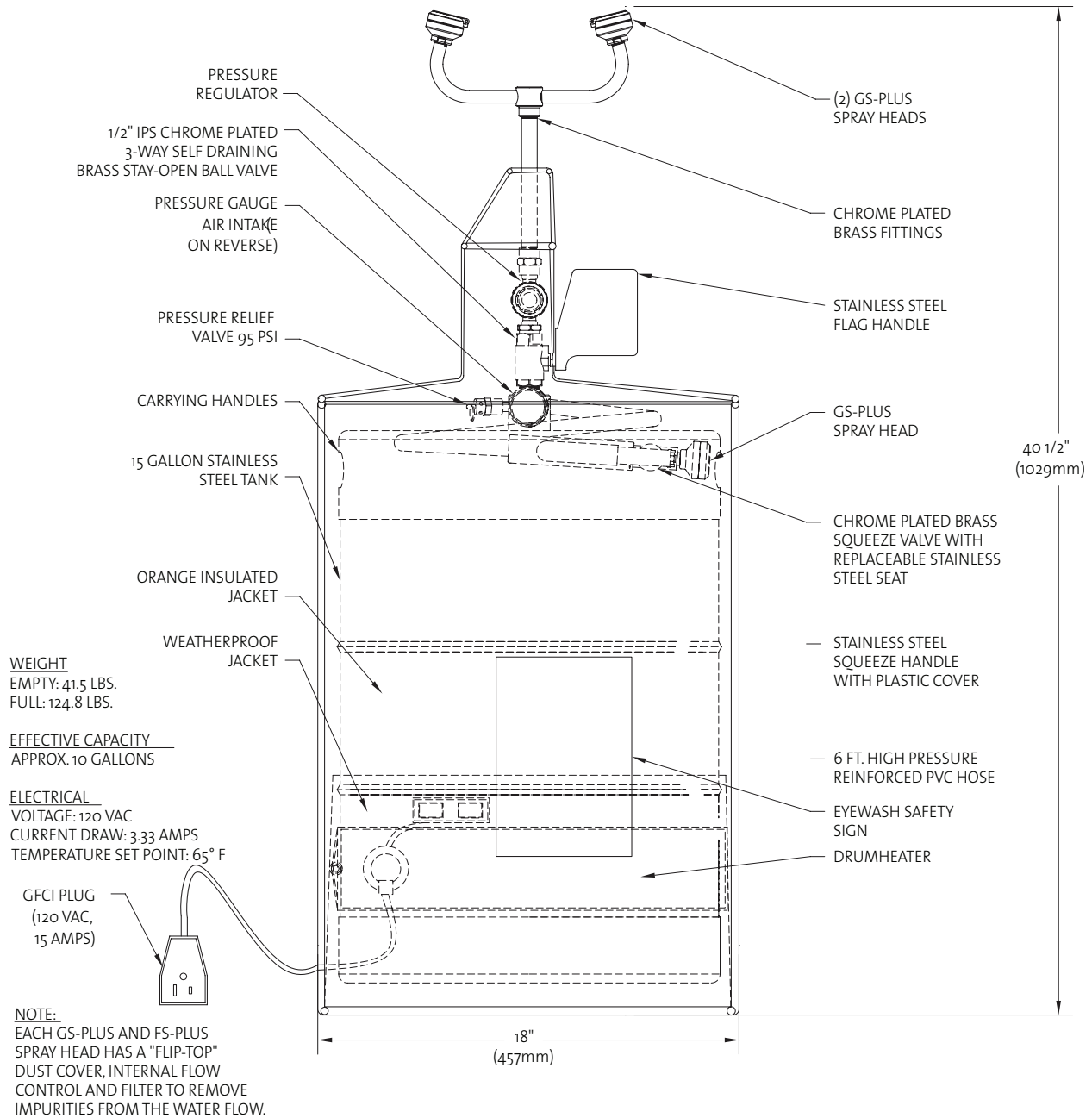


### Available Options

- **G1540BA** 8 oz. bottle of bacteriostatic additive to protect against algae growth of bacteria and other impurities in portable unit. (One bottle is supplied with unit)
- **200-013R** Two wheel hand cart for transporting and storing unit.



### □ G1562HTR 15 Gallon Portable Eyewash/Drench Hose Unit with Heated Orange Insulation Jacket



THIS SPACE FOR ARCHITECT/ENGINEER APPROVAL

Sign Included



Due to continuing product improvement, the information contained in this document is subject to change without notice. All dimensions are ± 1/4" (6mm). rev. 0615

Guardian Equipment 312 447 8100 TELEPHONE  
1140 N North Branch St 312 447 8101 FACSIMILE  
Chicago, IL 60642 gesafety.com



UPC listed 8116. ETL listed 101496. Units have been tested to and comply with ANSI Z358.1-2014.

