



- G1635** Emergency Shower, Vertically Mounted, Plastic Shower Head
- G1635SSH** Emergency Shower, Vertically Mounted, Stainless Steel Shower Head

Application: Emergency shower for vertical mounting.

Shower Head: 10" diameter. Shower head is orange ABS plastic (G1635) or stainless steel (G1635SSH).

Valve: 1" IPS chrome plated brass stay-open ball valve. Valve is US-made with chrome plated brass ball and Teflon® seals. Furnished with stainless steel actuating arm and 29" stainless steel pull rod.

Supply: 1" NPT female inlet.

Sign: ANSI-compliant identification sign.

Certification: Unit is third party certified by IAPMO to meet ANSI Z358.1 - 2014, the Uniform Plumbing Code (UPC) and the National Plumbing Code of Canada.

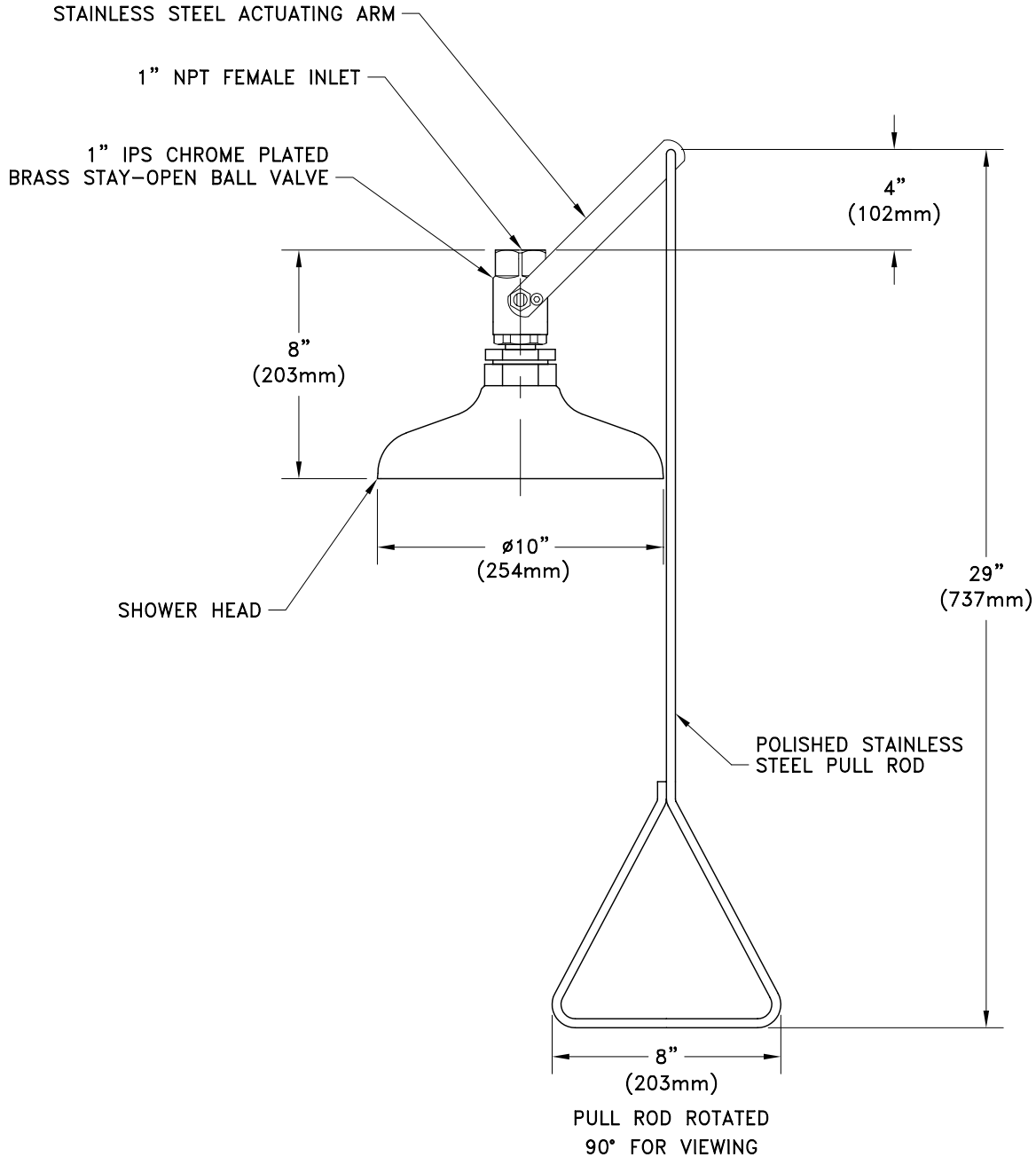
Available Options

- GRN** Safety green ABS plastic shower head.
- YEL** Safety yellow ABS plastic shower head.
- PCH** Polished chrome plated cast brass shower head.
- FC20** Regulates shower flow rate to 20 GPM.
- SC** Self-closing ball valve. *Note: Emergency showers with self-closing valves do not comply with ANSI Z358.1-2014.*
- AP280-100 ELECTRIC LIGHT AND ALARM HORN**
Flashing light and horn serve to summon assistance when shower is activated.
- TMV** G3800LF thermostatic mixing valve precisely blends hot and cold water to deliver warm (tepid) water as required by ANSI Z358.1-2014. Refer to "Tempering Units" section for complete technical and product selection information.





- **G1635** Emergency Shower, Vertically Mounted, Plastic Shower Head
- **G1635SSH** Emergency Shower, Vertically Mounted, Stainless Steel Shower Head



THIS SPACE FOR ARCHITECT/ENGINEER APPROVAL

Sign Included



Due to continuing product improvement, the information contained in this document is subject to change without notice. All dimensions are $\pm 1/4"$ (6mm). rev. 0115

