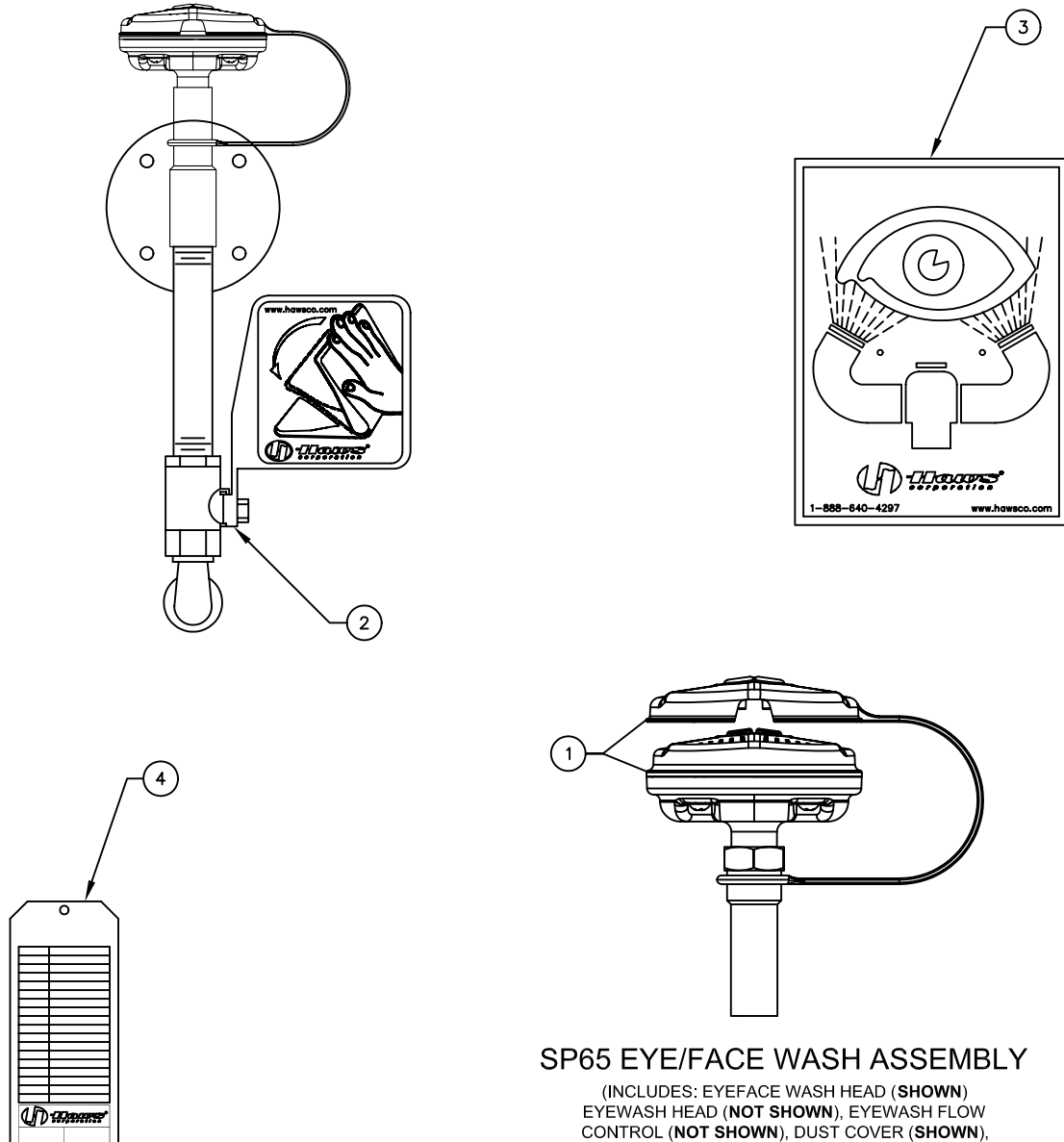


| ITEM | DESCRIPTION             |
|------|-------------------------|
| 1    | SP65 EYE/FACE WASH ASSY |
| 2    | SP238 VALVE - VERTICAL  |
| 3    | SP175 EYEWASH SIGN      |
| 4    | SP170 TEST TAG          |

# PARTS BREAKDOWN



## SP65 EYE/FACE WASH ASSEMBLY

(INCLUDES: EYEFACE WASH HEAD (SHOWN)  
 EYEWASH HEAD (NOT SHOWN), EYEWASH FLOW  
 CONTROL (NOT SHOWN), DUST COVER (SHOWN),  
 ADAPTER (SHOWN))

**WHEN ORDERING PARTS PLEASE SPECIFY YOUR MODEL NUMBER**

|  |                   |   |                          |
|--|-------------------|---|--------------------------|
|  <b>Haws</b> <sup>®</sup> |                   | 1455 KLEPPE LANE<br>SPARKS, NEVADA 89431<br>(775) 359-4712 FAX (775) 359-7424<br>E-MAIL: HAWS@HAWS.CO.COM<br>WEBSITE: WWW.HAWS.CO.COM |                          |
|  |                   | ECN NO:<br>ECN: 4472  | REVISOR:<br>HM           |
| DRAWN:<br>CLF  | DATE:<br>03/02/93 | CHKD.:<br>HM  | DRAWING NO.:<br>11458C00 |
| APPROVED:  | DATE:             | SCALE: 1:2  | REV.<br>8                |
|  |                   | DRAWING TYPE: PARTS BREAKDOWN   | SIZE: A SHEET 1 OF 1     |