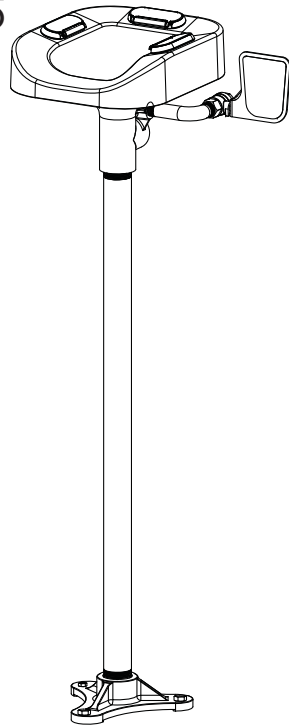


## INSTRUCTIONS FOR MODELS

# OPTIMUS™


SE-1100  
SE-1150  
SE-1155



### NEED HELP?

For additional assistance or service please contact:

**SPEAKMAN®** Company  
400 Anchor Mill Road  
New Castle, DE 19720

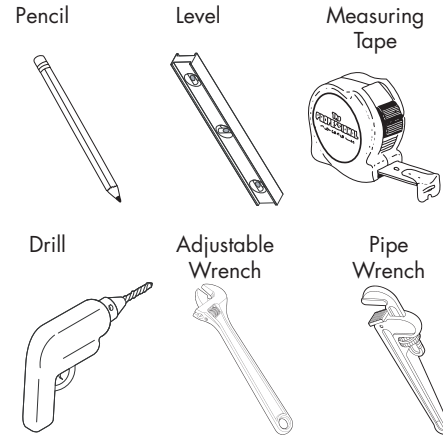
 800-537-2107

 customerservice@speakmancompany.com

 www.speakmancompany.com

92-SE-1100-1155-R2

## TOOLS AND SUPPLIES



### ! IMPORTANT !

ANSI Z358.1 states that weekly activation should be conducted on all plumbed emergency equipment to ensure that there is a suitable flushing fluid supply present and to clear the supply line of any sediment build-up. Also per the standard, the unit should be checked annually to ensure the unit still complies with the installation section (7.4) of the ANSI Z358.1 standard. ANSI Z358.1 specifies that the height of the spray heads is to be between 33" - 45" from the floor. The SE-1100/1150/1155 unit shall be mounted ensuring the mounting surface (floor, etc.) and mounting hardware are sufficient to carry the load. Be sure to read instructions thoroughly before beginning installation. Use thread locker on all threaded connections. Make sure Eye/Face wash is level and plumb. Do not overtighten any connections or damage may occur. **SPEAKMAN** furnishes a testing record tag (91-0635) with each unit. On this tag, the date of inspection and the inspector's initials should be noted.

### SAFETY TIPS ⬇

Be sure to wear eye protection.

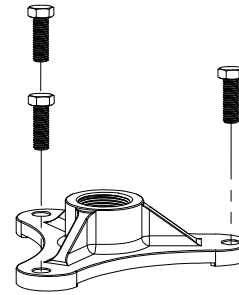
### MAINTENANCE ⬇

Please reference the parts listing for the correct repair part numbers. Only use genuine **SPEAKMAN** parts when repairing or replacing components. To order parts, call 1-800-537-2107. Be sure to turn off water supplies before beginning any maintenance. See Page 2 for cleaning instructions.

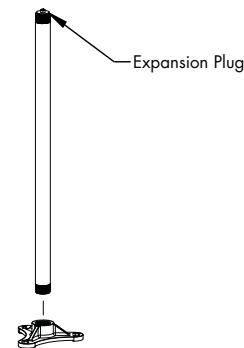
### WARRANTY ⬇

3 year limited warranty.  
Additional warranty information can be found at:  
www.speakmancompany.com

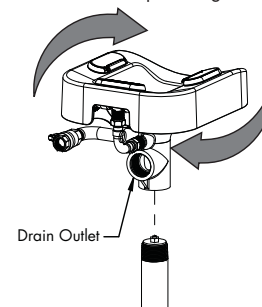
- At desired location, mount Floor Flange on a flat, level surface using suitable anchors, making sure that one of the three ears on the Floor Flange is positioned at what will be the front of the Safety Bowl.



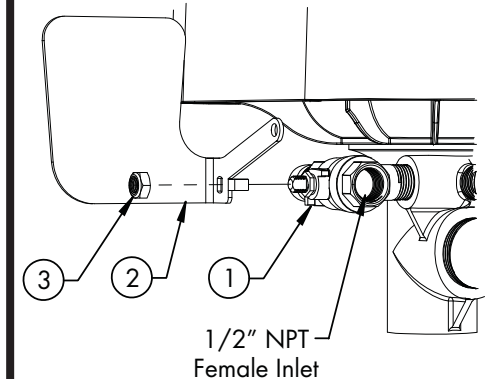
- Insert 1-1/4" x 32-3/8" Pipe (opposite end of Expansion Plug) into the Floor Flange. Tighten connection, being careful not to damage finish.



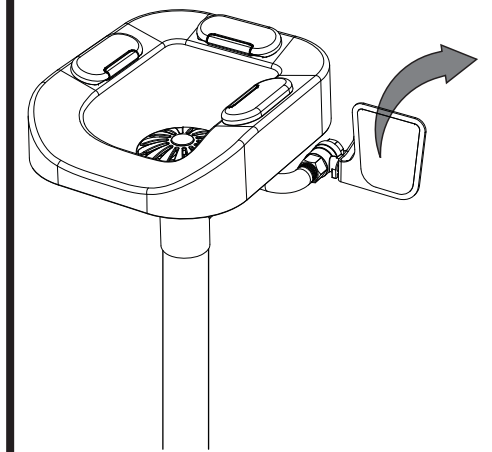
- Thread entire Bowl Assembly to the plugged end of Pipe, ensuring the Bowl is level, plumb, and facing forward when completely secured. Connect the Drain Outlet to an adequate drain in accordance with local plumbing codes.



- Install Paddle Handle to Ball Valve with Nut. Connect an uninterruptable potable water supply with a minimum flowing pressure of 30psi and a maximum static pressure of 60psi to the 1/2" NPT female water supply inlet.

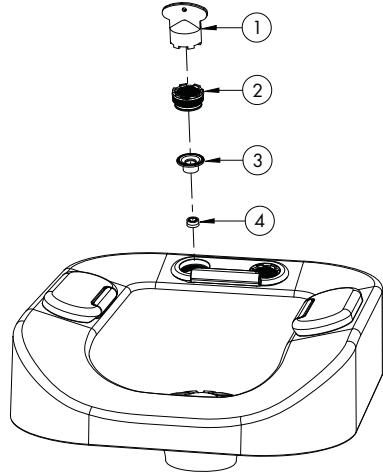


- To test, and for subsequent operation, push the Paddle Handle forward 90°. The unit will operate until the Paddle Handle is manually pulled back to the OFF position.



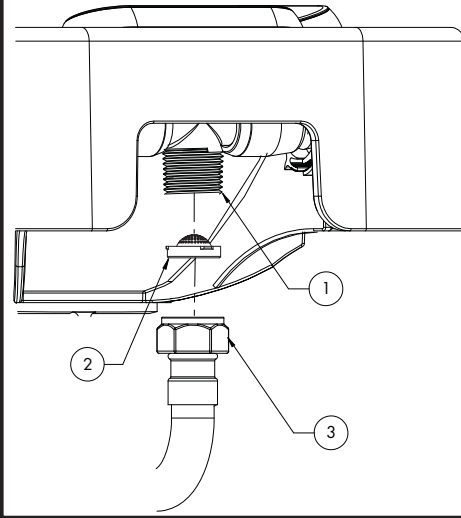
### To Clean the Aerated Outlets:

Using the Aerator Wrench ①, remove the Aerator ②. The Flow Control Housing ③ will come out next, with the Flow Control ④ inside of it. Remove the Flow Control and check for debris surrounding the o-ring. Flush with clean water. Check the mesh on the back of the Aerator for debris. Flush with clean water.



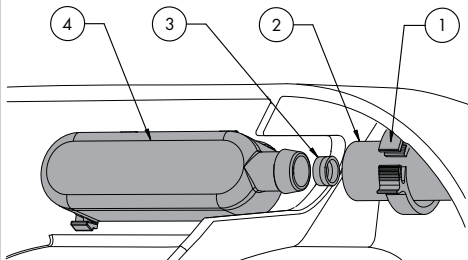
### To Clean the In-Line Strainer:

Begin by removing Supply Hose ③ from Hose Manifold Tee ①. The Strainer ② will be located inside the threading of Supply Hose ③. Remove Strainer ② and check for debris. Flush with clean water.



### To Clean the Non-Aerated Outlets:

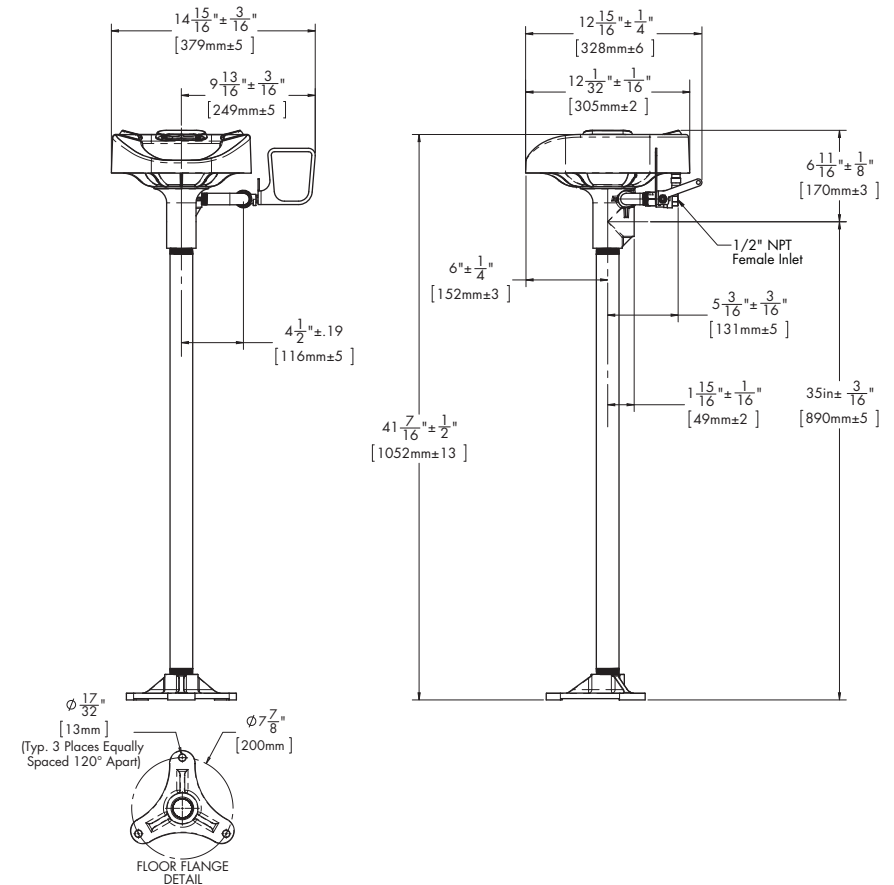
Begin by removing the Hose Clamp ①, then remove Hose ② from Housing ④. Flow Control ③ can be seen inside Housing ④ at this point. Remove Flow Control and check for debris surrounding the o-ring. Flush with clean water.



### Flow Data:

| PRESSURE |      | FLOW RATE |       |
|----------|------|-----------|-------|
| psi      | bar  | gpm       | L/min |
| 30       | 2.07 | 4.9       | 18.5  |
| 60       | 4.14 | 5.0       | 18.9  |

### ROUGH IN DIMENSIONS



### REPAIR PART GROUPS

| Part No. | Description   |
|----------|---|
| SE-1000  | Plastic Bowl, Chrome Plated Brass Ball Valve        |
| SE-1050  | S/S Bowl, Chrome Plated Brass Ball Valve            |
| SE-1055  | S/S Bowl, Stainless Steel Ball Valve (SE-1155 Only) |

| Part No.    | Description  |
|-------------|--|
| RPG49-0010  | Spray Outlet Gaskets                               |
| RPG07-0023  | Dust Cover Group                                   |
| RPG63-0087  | Stainless Steel Flex Hose                          |
| RPG05-2500  | Aerators (6)                                       |
| RPG05-0936  | Complete Spray System Replacement Group            |
| SE-910      | 1/2" Ball Valve with Paddle Handle                 |
| SE-910-SSBV | 1/2" Stainless Steel Ball Valve with Paddle Handle |