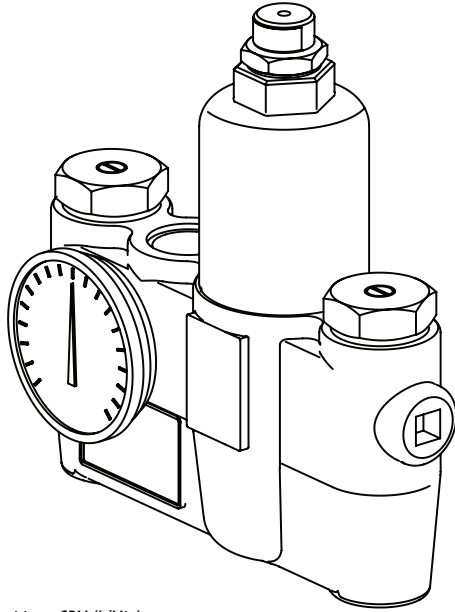


SPEAKMAN®

Thermostatic Mixing Valve

SE-362

SPECIFICATION



Flow Capacities – GPM (L/Min)

Model	Min. Flow	Pressure Drop – PSI (Bar)						
		5 (.5)	10 (1.0)	15 (1.5)	20 (2.0)	30 (2.5)	45 (3.0)	60 (4.0)
SE-362	3.0 (11.5)	6.0 (29.0)	9.5 (46.0)	12.5 (60.0)	15.0 (72.0)	19.5 (83.5)	25.5 (96.5)	30.5 (113.5)

Minimum cold water bypass at 30 PSID: 8.0 GPM

This plumbing fixture is not intended to dispense water for human consumption through drinking or for preparation of food or beverages.

FEATURES:

- 25 gpm capacity supports a single shower or multiple eye or eye/face wash stations
- Provides 21 gpm cold water bypass in case of hot water or thermostatic element failure
- Inlet connections: 3/4 in. NPT
- Outlet connection: 1 in. NPT
- Temperature range: 65°-90° F
- Maximum pressure 125 PSI
- Inlet temperature hot: 120°-140° F
- Inlet temperature cold: 33°-80° F
- Minimum temperature Differential (from valve set point): 20° F
- Automatic spring check stops
- Valve holds to a +/- 3° F temperature
- Valves provide a positive shutoff when cold water is lost
- Integral strainer checkstops on inlets
- Set Point = 85°F
- Adjustable set point

COMPLIANCE:

- ASSE 1071 Certified

FINISHES:

- Rough brass (standard)

OPTION:

ADD SUFFIX TO MODEL #

- Flush mounted cabinet

SE-366

WARRANTY:

- 1 year limited
- 10-Year warranty on thermostat

SEE REVERSE FOR ROUGH-IN DIMENSIONS

THIS SPACE FOR ARCHITECT/ENGINEER APPROVAL.

SPEAKMAN®

400 ANCHOR MILL ROAD | NEW CASTLE, DE 19720
P: 800-537-2107 | F: 800-977-2747
WWW.SPEAKMANCOMPANY.COM

REVISION DATE: APRIL 2014

Management Systems
Registered to ISO 9001

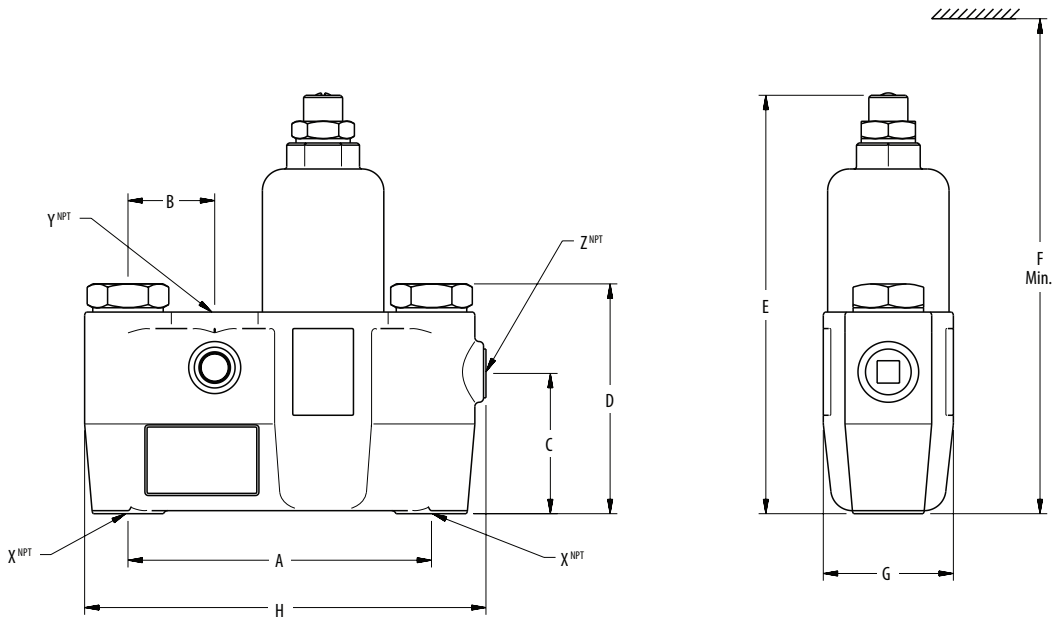
SPEAKMAN®

Thermostatic Mixing Valve SE-362

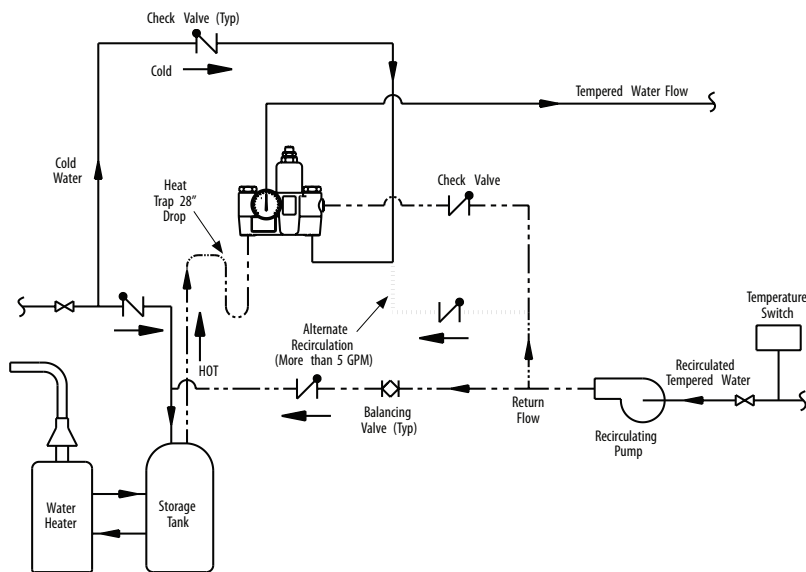
SPECIFICATION

Dimensions

Model	A	B	C	D	E	F	G	H	X ^{NPT}	Y ^{NPT}	Z ^{NPT}
SE-362	7" (178)	2" (51)	3-1/4" (84)	4-3/4" (119)	8" (203)	14" (356)	3-1/8" (79)	9-1/4" (234)	3/4"	1"	3/4"



Recirculation Diagram (mm)



NOTE: 1. All dimensions are in inches (millimeters) unless otherwise specified and are subject to change without notice.

THIS SPACE FOR ARCHITECT/ENGINEER APPROVAL.

SPEAKMAN®

400 ANCHOR MILL ROAD | NEW CASTLE, DE 19720
P: 800-537-2107 | F: 800-977-2747
WWW.SPEAKMANCOMPANY.COM

Management Systems
Registered to ISO 9001

REVISION DATE: APRIL 2014